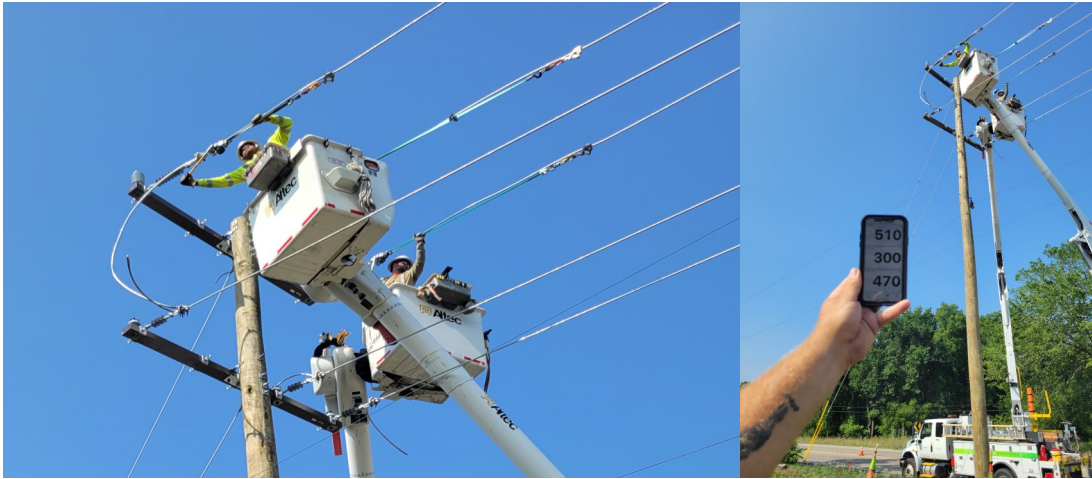


# BLUEMAX USA



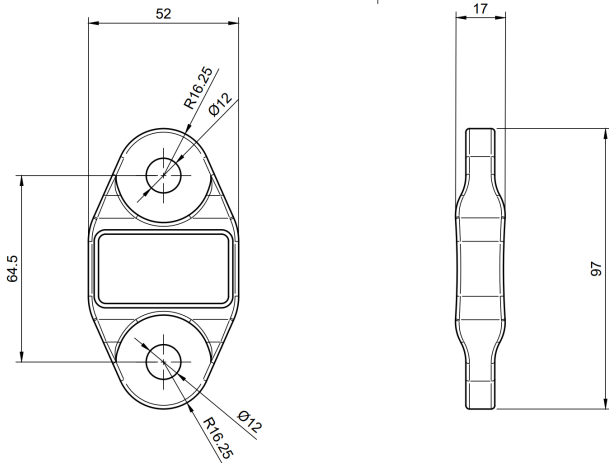
- Capacity:-** 1000lbs - 44000bs
- Material:-** Titanium Ti6Al4V
- Housing:** Acetal
- Battery:-** Lithium Polymer, 0.925Wh
- Battery Life:**
  - ≥ 2,000 hrs at 0.1Hz
  - ≥ 20,000 hrs at 1Hz
  - ≥ 200,000 hours at 10Hz
- Measurement range:-** ≥ 55lbs in 1lb increments
- Accuracy:-** ≥ ± 1% full scale
- Environmental:-** Waterproof to IP67 and operating range 0°F to 158°F
- Communications:-** Bluetooth LE - BLE broadcasting or direct GAT connection up to 320ft

## Weights and Dimensions (approximate)

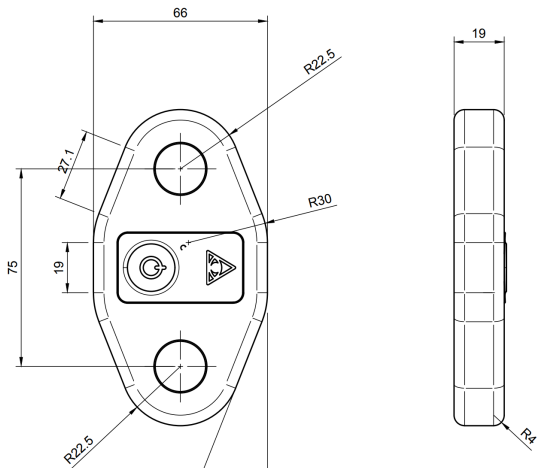
Name	Nano	Micro	Milli	Centi	Flex
WLL	2000 lbs	4400lb	11000 lbs	22000 lbs	Custom WLL available
Overall Dia	3.8 x 2 x 0.6 inch	3.8 x 2 x 0.6 inch	4.7 x 2.6 x 0.75 inch	5.5 x 2.9 x 1.1	TBC
Pin dia	0.4 inch	0.4 inch	0.75 inch	1.1 inch	TBC
Weight	0.35 lb	0.35 lb	0.46 lb	0.8 lb	TBC

WLL	1000 kg	2000 kg	5000 kg	10000 kg	Custom WLL available
Overall Dia	97 x 52 x 17mm	97 x52 x 17mm	120 x 66 x 19mm	140 x 73 x 28mm	TBC
Pin dia	10mm	10mm	19 mm	28 mm	TBC
Weight	160g	160g	210g	360g	TBC

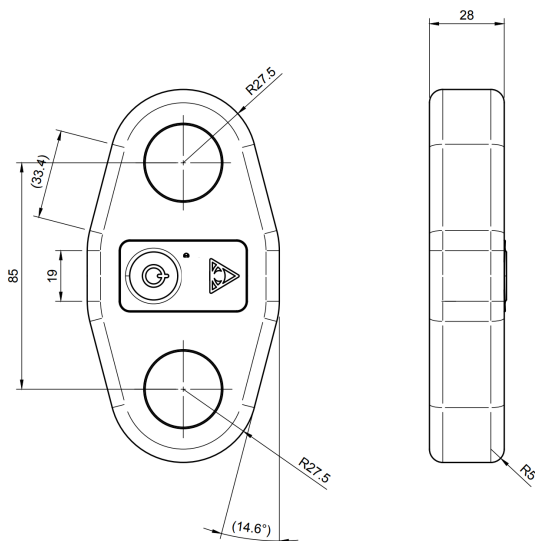
# BLUEMAX USA



Product name	Micro
Part number	4400SL
WLL	4400lbs
ASME compliant	Yes
sample rate	0.25Hz
Accuracy	1lb increments



Product name	Milli
Part number	11000SL
WLL	11000lbs
ASME compliant	Yes
sample rate	0.25Hz
Accuracy	1lb increments



Product name	Centi
Part number	22000SL
WLL	22000lbs
ASME compliant	Yes
sample rate	0.25Hz
Accuracy	1lb increments